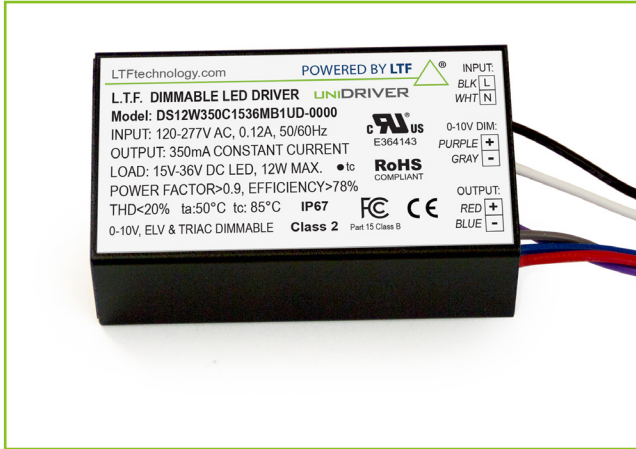


12W DS12W 100-305V Series Constant Current - Constant Voltage

UNIDRIVER[®]

True Tri Mode Dimming • ELV, TRIAC & 0-10V • 100 - 305V



Efficiency	higher than 85%
Power Factor	> 95%
Case TC	90°C Max.
Protection	Input / Output
Storage	-30°C / +90°C
Humidity	95% RH Max.
IP Rating	IP64
Class	Class 2 Power Supply
Dimming	TRIAC/ELV/0-10
Output Voltage	280mA - 1000mA



* Ask for more information

FEATURES

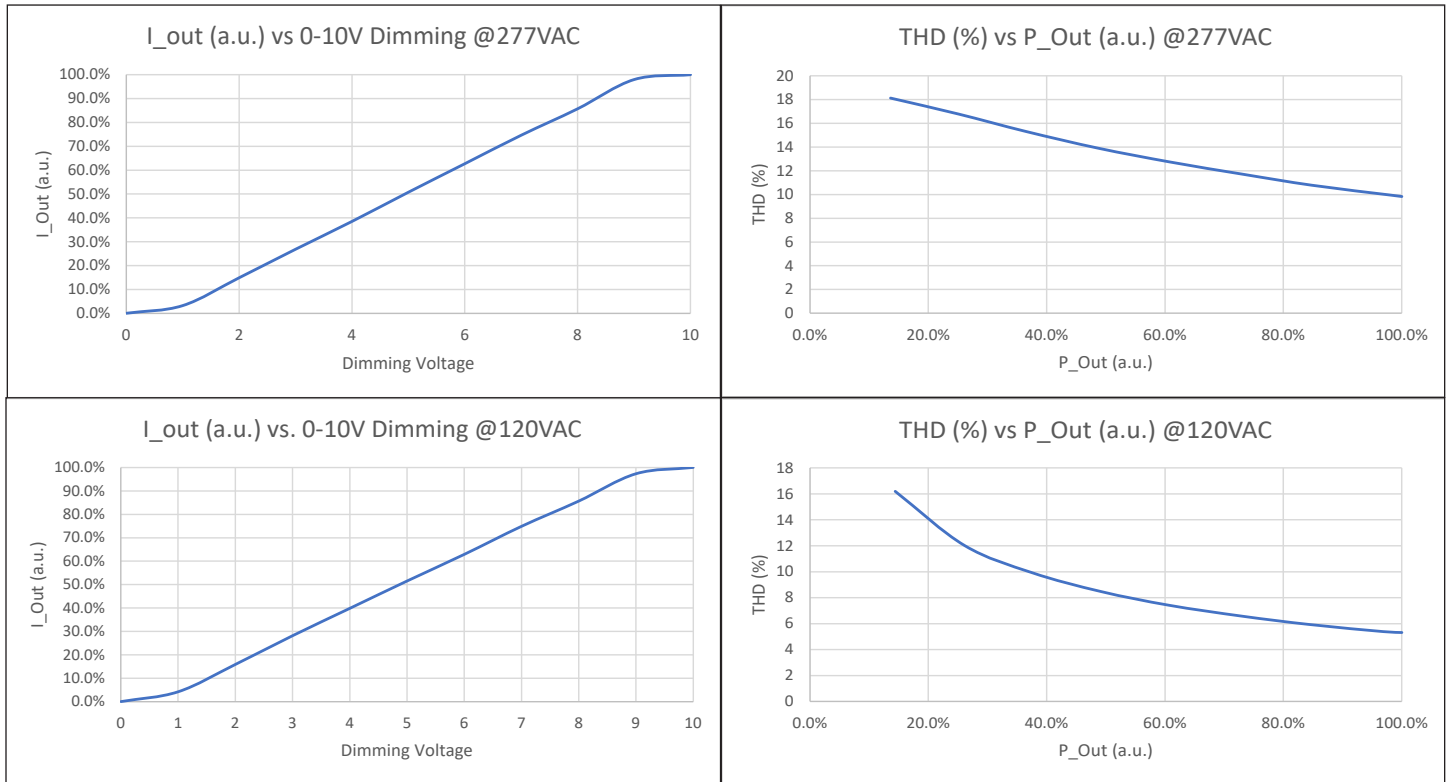
- All-In-One dimming capabilities; Triac, ELV, and 0-10V dimming
- Universal input voltage; 100-305V AC
- Isolated output power per NEC and UL safety requirements
- UL recognized/ Listed, UL8750, UL1310
- Auto-reset; Short circuit, Overload and Thermal protection
- Superior thermal performance
- Aluminum case with high W/m.K encapsulating material
- Low profile, small form factor, junction box mountable
- Smooth dimming 0% to 100% dimmable
- Meet and exceed Title 24 flicker requirements
- Class 2 power supply and other than Class 2 options
- Efficient, high power factor, low THD, FCC class B

ELECTRICAL SPECIFICATIONS

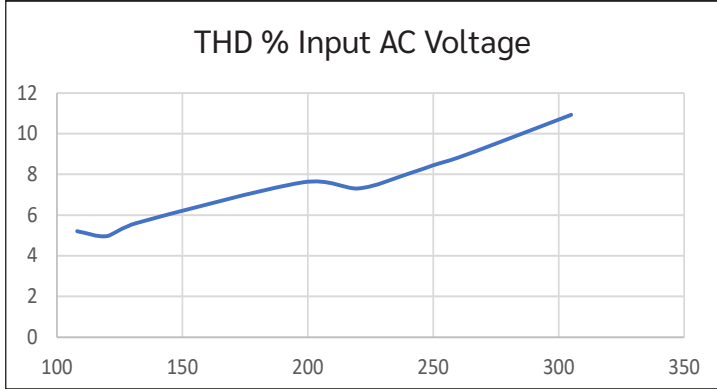
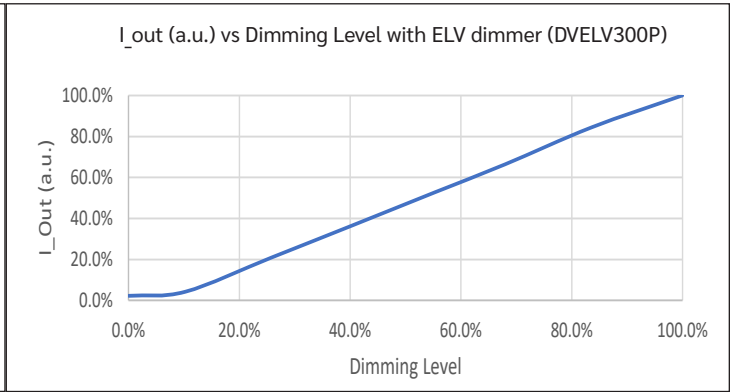
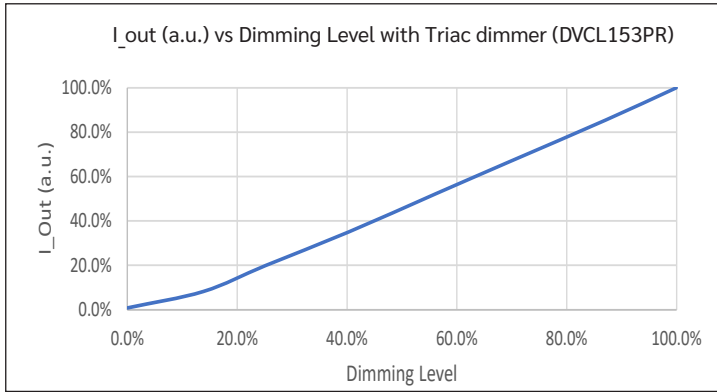
Constant Current				
Model Number	Input Voltage	Output Voltage	Output Current	Available Form Factor
DS12W280C2043UD	100 - 305V AC 50/60Hz >0.90 PF <20% THD	20-43VDC	280mA	G1, G4, MB1, D3, SM1
DS12W300C2040UD		20-40VDC	300mA	G1, G4, MB1, D3, SM1
DS12W320C1838UD		18V-38VDC	320mA	G1, G4, MB1, D3, SM1
DS12W350C1534UD		15-34VDC	350mA	G1, G4, MB1, D3, SM1
DS12W440C1028UD		15-28VDC	440mA	G1, G4, MB1, D3, SM1
DS12W550C1022UD		13-22VDC	550mA	G1, G4, MB1, D3, SM1
DS12W700C1017UD		10-17VDC	700mA	G1, G4, MB1, D3, SM1
DS12W750C1016UD		10-16VDC	750mA	G1, G4, MB1, D3, SM1
DS12W1000C1012UD		10-12VDC	1000mA	G1, G4, MB1, D3, SM1

Constant Voltage				
Model Number	Input Voltage	Output Voltage	Output Current	Available Form Factors
DS12W12VUD	100-355V AC 50/60Hz >0.90 PF < 20% THD	12VDC	1000mA	BF, BF1, MB1, LS1, G1, G4
DS12W24VUD		24VDC	500mA	BF, BF1, MB1, LS1, G1, G4
DS12W48VUD		48VDC	250mA	BF, BF1, MB1, LS1, G1, G4

DIMMING CHARACTERISTICS



*Dimming tests based off Model : DS12W350C1536MB1UDT24-0000



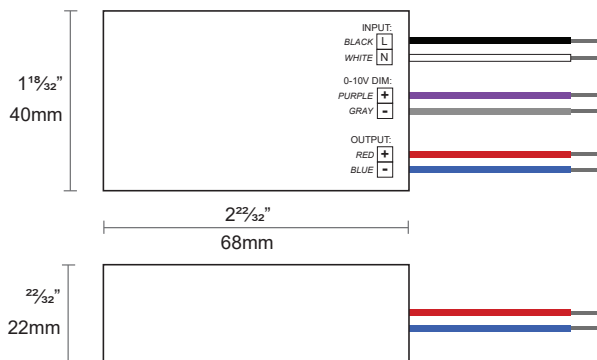
*Dimming tests based off Model : DS12W350C1536MB1UDT24-0000

MECHANICAL SPECS

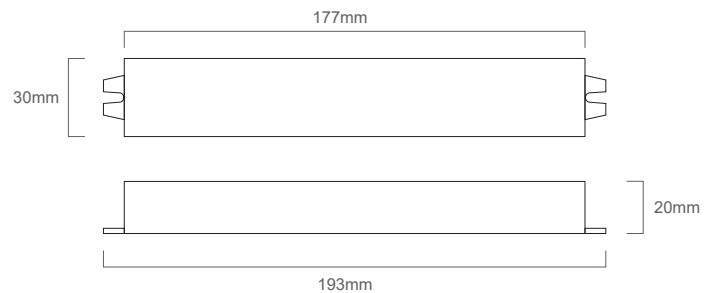
Form Factor	Dimensions
"MB1"	68x40x22mm
"BF"	77.4x39x25mm
"BF1"	77.4x39x25mm
"D3"	39.5x87mm
"SM1"	43x111x24mm
"G1"	207x50.8x43mm
"G4"	238x66x48mm



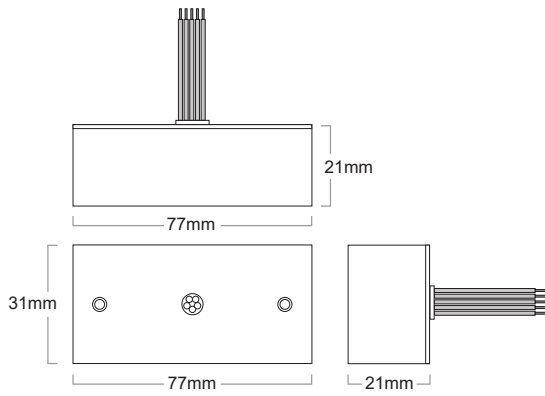
MB1



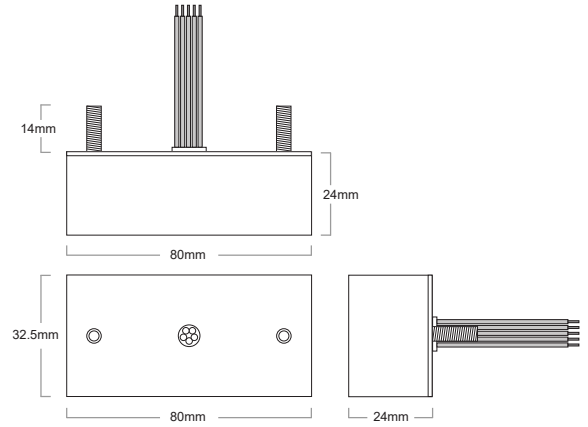
LS1



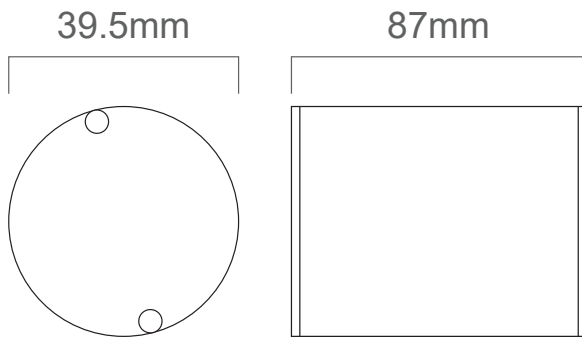
BF1



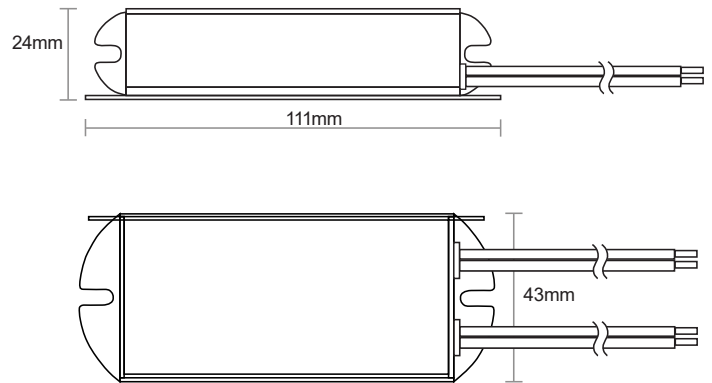
BF



D3



SM1

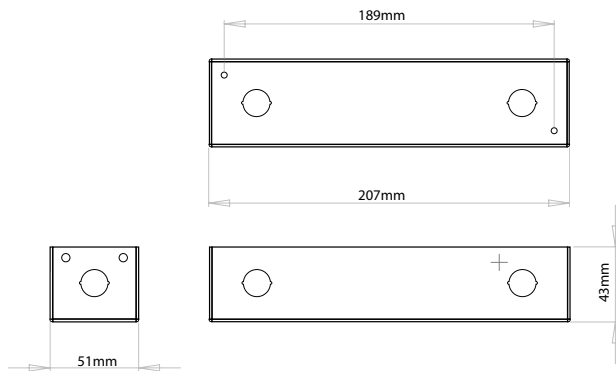


MECHANICAL SPECS FOR UL LISTED MODELS

Remote Enclosure Option	
Model Number	Remote Enclosure
LDS12WXXXXRE	G1
LDS12WXXXXREO	G4



G1



G4

